



**Features:**

*Reliable Dry Air Production*

*Rugged, Environmentally  
Tolerant Design*

*Compact & Lightweight for  
Maximum Design Flexibility*

*Constant Pneumatic  
Impedance*

*Constant Delivery Pressure*

*ISO 9002 Certified*

**Benefits:**

*No Maintenance Required*

*Eliminates the Need for an  
External Product Tank*

*Low Capital and Operating  
Costs*

*Power Consumption is Less  
than 5 Watts*

*Quiet Operation For Use In  
Any Location*

## The Air Dryer Family

### Air Dryer Modules



### The Air Dryer Advantage

SeQual air dryers provide dry, clean, oil-less air for any application. The air dryers incorporate the proven pressure swing adsorption (PSA) principles SeQual first engineered into a unique patented design for oxygen to make dry air at -60 degrees Fahrenheit throughout their operational ranges. The design is more efficient, rugged and compact than conventional PSA

air dryer systems, because the SeQual air dryer does not require the additional support equipment frequently necessary on the earlier generation machines. With its straightforward design, the SeQual air dryer offers unparalleled design flexibility and enables applications where continuous-duty dry air generation is needed.



## The ATF Advantage

ATF® Air Dryer modules incorporate proven pressure swing adsorption (PSA) principles into a unique patented design that is far more compact, efficient, rugged and lower in cost than conventional PSA systems. The ATF® module offers unparalleled design flexibility and enables applications where on-site/on-board dry air generation was previously impractical, too expensive, or too unreliable.

### ATF vs. Conventional PSA Systems

	Conventional	ATF
Pneumatic Connections	40-60	2
Electrical Connections	20-30	2
Solenoid Valves	2-8	0
Control Electronics	Required	None
Inlet Air Pressure (PSIG)	90	18-35
Pressure Reducing Regulator	Required	None
Maintenance	Required	None
External Product Tank	Required	None
Filter with Drain	Required	None

## Air Dryers

### AD-20

The AD-20 provides dry air from 0-20 standard cubic feet per hour (SCFH)/ 0-9.4 liters per minute (LPM) at -60 degrees Fahrenheit / -51 degrees C or drier.

Dimensions:  
12.5" H x 8.2" Dia.  
(318 mm H x 210 mm Dia)



### AD-60

The AD-60 provides dry air from 0-60 standard cubic feet per hour (SCFH)/ 0-28.3 liters per minute (LPM) at -60 degrees Fahrenheit / -51 degrees C or drier.

Dimensions:  
20" H x 8.2" Dia.  
(510 mm H x 210 mm Dia.)



## Patented Simplicity for Reliable Long Life

The unique design of the Advanced Technology Fractionator Air Dryer module eliminates dozens of components and inter-connections found in conventional PSA systems. A patented single rotary distribution valve built into the ATF® module is continuously rotated at low speed by a small motor. The valve is maintenance free, self-cleaning, insensitive to contamination, and invulnerable to wear. It sequentially directs the flow of compressed air to a group of four sieve beds (adsorption), while at the same time another four beds are purged into the atmosphere through the valve (desorption). The remaining four of the twelve beds are interconnected through the valve to equalize

pressure as the sieve beds sequentially transition between adsorption and desorption. In contrast to a conventional PSA system, the small amplitude pressure swings generated by the ATF's twelve sieve beds eliminate loud noise pulses, eliminate the need for a pressure regulator, and reduce compressor wear.



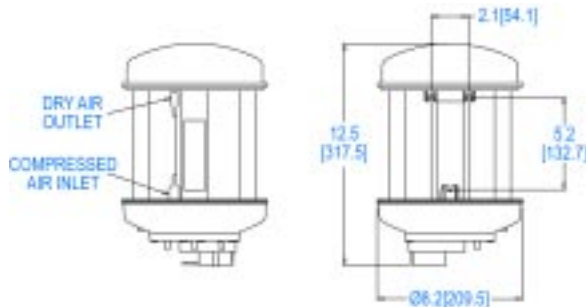


# Air Dryer Specifications and Performance

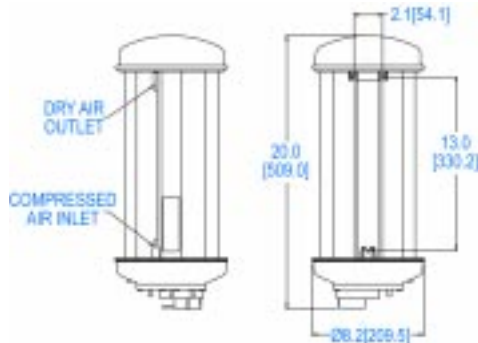
Name	Model #	Power Supply	Minimum Input Air Requirements		Performance Data		Weight
			Flow	Pressure	Flow -60°F / -51°C	Dry Air Delivery Pressure	
AD-20	6020	120/220 V, 50/60Hz	2.7 SCFM 76 SLPM	25 PSIG 1.72 bar	0.3 SCFM 20 SCFH 9.4 LPM 0.6 m³/hr 36 lb/day	5 psi	9.6 lbs 4.4 kg
AD-60	6060	120/220 V, 50/60Hz	3.1 SCFM 88 SLPM	25 PSIG 1.72 bar	1 SCFM 60 SCFH 28.3 LPM 1.7 m³/hr 108 lb/day	5 psi	14.7 lbs 6.7 kg

## Envelope Dimensions inches (mm)

### AD-20



### AD-60



### Air Dryer Characteristics:

#### Electrical:

Power consumption is 3 Watts

#### Compressed Air Input Requirements

Clean Air (oil-less)  
Maximum temperature of 170°F (77°C)  
(Performance rated at 120°F (49°C))

#### Ambient Temperature Parameters

40°F - 130°F (4°C - 54°C) inside operating enclosure  
0°F - 140°F (-18°C - 60°C) storage

Dry Air Delivery Dewpoint: -60°F (-51°C) or drier

#### Mounting

Two integral mounting pads provided  
Optional toe clamps available  
Vertical mounting preferred  
Must be isolated from compressor vibration

#### Physical

Air inlet: Barb for 1/2" (12.7mm) ID tubing  
Dry Air outlet: Barb for 1/4" (6.4mm) ID tubing



## Air Dryer/Compressor Matching Table

### Compressor Selection

Match the chosen Air Dryer model and part number with the appropriate oil-less compressor part number.

Air Dryer Name	Air Dryer Model #	Recommended Compressor Part Number	Voltage (Volts)	Frequency (Hz)
AD-20	6020	3380	115	60
		3381	220	50
AD-60	6060	3382	115	60
		3383	220	50

## Additional Compressor Specifications

This technical data is presented as a basis for Air Dryer and compressor selection only. Compressor performance is based upon nominal units tested with Air Dryers under lab conditions. Please call for additional information.

Compressor Part #	Maximum Pressure psi (bar)	Motor	HP	Power Consumption kW	Net Weight lbs (kg)
3380	30 (2)	115V, 60Hz	1/3	0.25	17 (7.8)
3381	30 (2)	220V, 50Hz	1/3	0.25	17 (7.8)
3382	30 (2)	115V, 60Hz	1/3	0.25	17 (7.8)
3383	30 (2)	220V, 50Hz	1/3	0.25	17 (7.8)

## Air Dryer Family Accessories

### SeQual Technologies Inc.

11436 Sorrento Valley Road  
San Diego, CA 92121, USA  
Tel: (858) 558-0202  
(800) 826-4610  
Fax: (858) 558-1915  
Toll Free Fax: (877) 786-9943  
Web Site: [www.sequal.com](http://www.sequal.com)  
Email: [industrialsales@sequal.com](mailto:industrialsales@sequal.com)

Part No.	Description	AD-20	AD-60
1312	Solenoid Valve, 110V	✓	✓
1317	Solenoid Valve, 220V	✓	✓
1368	Pressure Relief Valve, 35 psi	✓	✓
9009	Economy Heat Exchanger	✓	✓
9114	Flow Meter, Dual-Scale 2-20 SCFH/1-10 LPM	✓	
9116	Flow Meter 2-25 LPM		✓
9124	Flow Meter 5-50 SCFH		✓
9125	Pressure Switch	✓	✓
9150	Toe Clamps	✓	✓
9155	Compressed Air Hose 1/2" ID	✓	✓
9160	Dry Air Product Hose 1/4" ID	✓	✓

